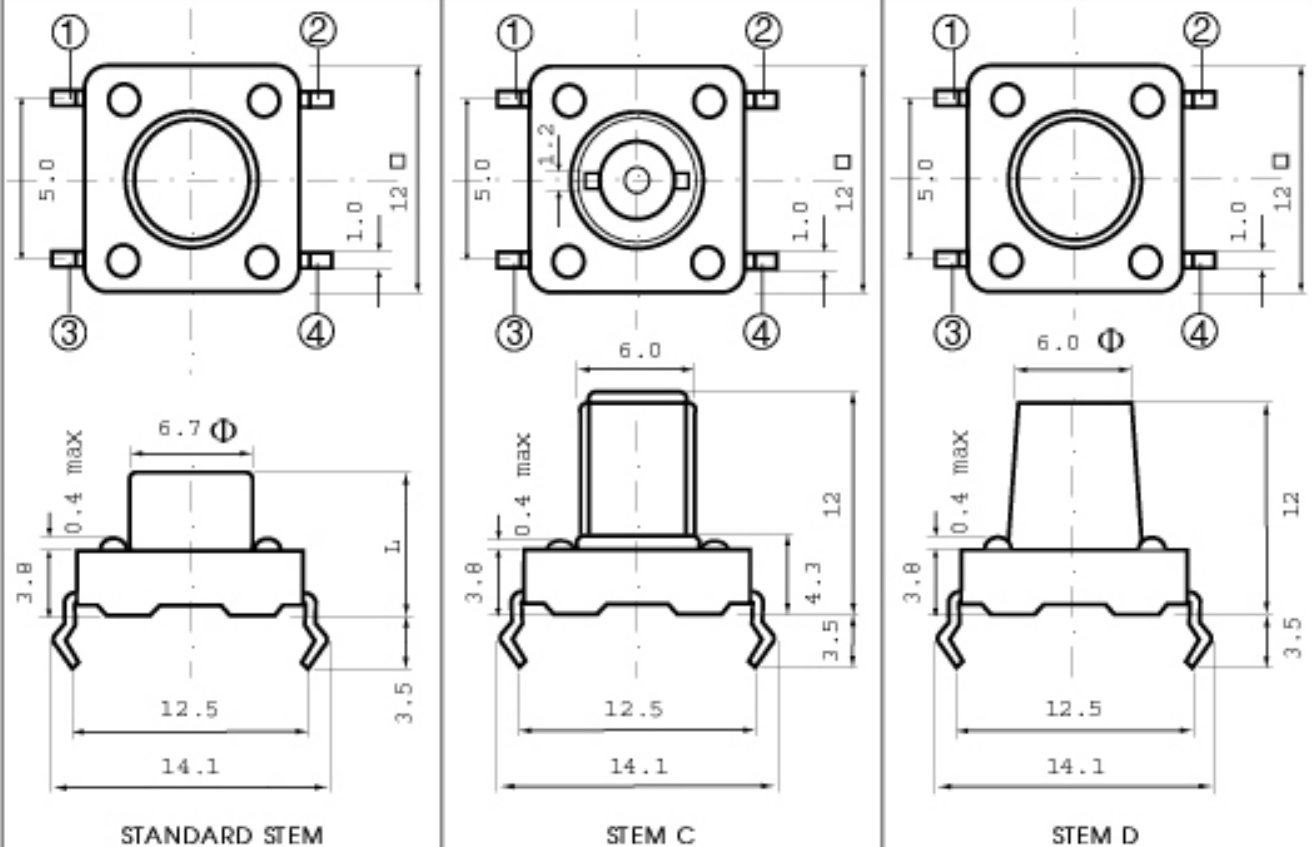


## TACT SWITCH: 12 X 12 TYPE 60-3000



L	4.3	7.5	5.6
CODE	A	B	E
OPERATING FORCE (GRAMS)		SWITCH CODE	
100	100,000	60-3S4L	60-3S4C
130	100,000	60-3S1L	60-3S1C
180	1,000,000	60-3S5L	60-3S5C
		STANDARD	STANDARD
250	100,000	60-3S3L	60-3S3C

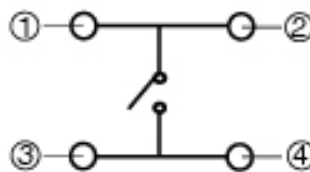
### SPECIFICATIONS:

CONTACT	: METAL CONTACT
RATING	: 50 mA x 12 V DC
CONTACT RESISTANCE	: 100 mΩ MAX
PROOF VOLTAGE	: 250 V AC FOR 1 MIN
INSULATION RESISTANCE	: 100 MΩ MIN/100 V DC
RESISTANCE TO SOLDERING HEAT	: HAND 270 ± 10°C - 3 SEC MAX AUTO 255 ± 5°C - 5 SEC MAX

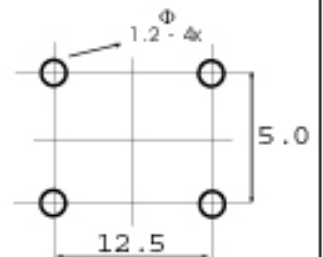
Operating Temp: -40 to 85 Deg. C

Rev: 01 - 15/9/2006 (Op. temp added)

#### CIRCUIT DIAGRAM



#### PCB MOUNTING HOLE LAYOUT



PRODUCT: TACT SWITCH 12 x 12 TYPE: 60-3000	
DIMENSIONS: MM TOLERANCE: ± 0.2 MM	
CHECKED BY: APM	DATE: 15/9/2006
APPROVED BY: APM	DATE: 15/9/2006



**Pran Electronics Pvt. Ltd.**  
 52 G.I.D.C. Makarpura  
 Vadodara 390 010, INDIA.  
 Phone: 0265 263 291 4, 263 5920.  
 Fax: 0265 263 591 8.  
 Email: info@pranelectronics.com