

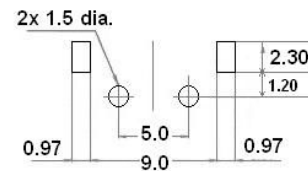
60-3V5A

60-3V5E

60-3V5B

60-3V5F

60-3V5D



PCB DIMENSION

SPECIFICATIONS:

CONTACT	: METAL CONTACT
RATING	: 50 mA x 12 V DC
CONTACT RESISTANCE	: 100 mΩ MAX
PROOF VOLTAGE	: 250 V AC FOR 1 MIN
INSULATION RESISTANCE	: 100 MΩ MIN/100 V DC
RESISTANCE TO SOLDERING HEAT	: HAND 270 ± 10°C - 3 SEC MAX AUTO 255 ± 5°C - 5 SEC MAX

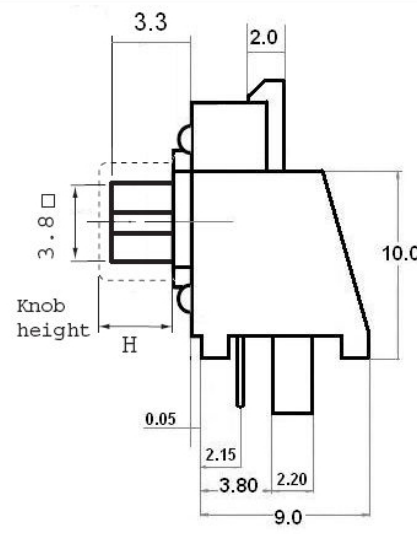
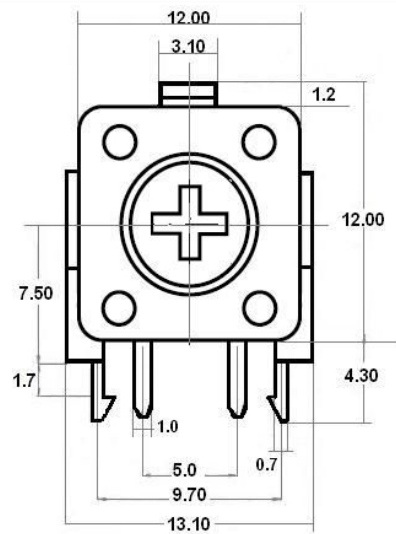
Operating temp: -40 to 85 Deg. C



Product: Vertical 12x12mm tact switch

DIMENSIONS: MM TOLERANCE: ± 0.2 MM	
CHECKED BY:	DATE:
APPROVED BY:	DATE:

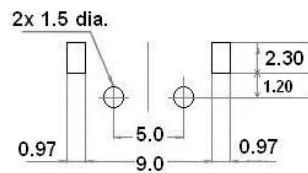
Pran Electronics Pvt. Ltd.



KNOBS	
SIZE x H	CODE
8 x 6 x 4	K40X0
7Φ x 4	K41X0
10 x 10 x 4	K42X0
12.5 x 12.5 x 4	K43X0

COLOUR CODE

60-3V5K



PCB DIMENSION

SPECIFICATIONS:

CONTACT	: METAL CONTACT
RATING	: 50 mA x 12 V DC
CONTACT RESISTANCE	: 100 mΩ MAX
PROOF VOLTAGE	: 250 V AC FOR 1 MIN
INSULATION RESISTANCE	: 100 MΩ MIN/100 V DC
RESISTANCE TO SOLDERING HEAT	: HAND 270 ± 10°C - 3 SEC MAX AUTO 255 ± 5°C - 5 SEC MAX

Operating temp: -40 to 85 Deg. C



Pran Electronics Pvt. Ltd., India.
12 x 12 mm Vertical tact switches K stem with Knobs
Knob sizes: 8x6mm, 7mm dia. round, 10x10mm, 10x12.5mm, 12.5x12.5mm

Product: Vertical 12x12mm tact switch

DIMENSIONS: MM TOLERANCE: ± 0.2 MM	
CHECKED BY:	DATE:
APPROVED BY:	DATE:

Pran Electronics Pvt. Ltd.